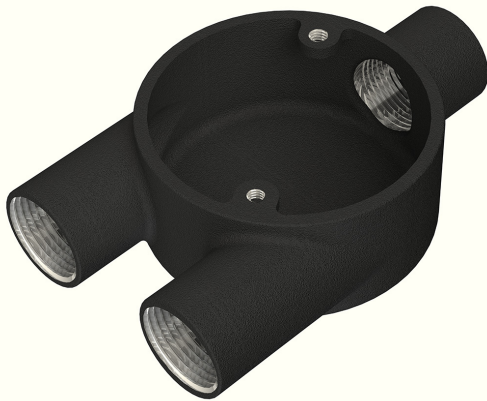


**PRODUCT CODE: MB7B**  
MALLEABLE CONDUIT BOX



**DESCRIPTION**

20mm Malleable Branch Y Conduit Box

**FINISH**

Black Enamel

**MATERIAL**

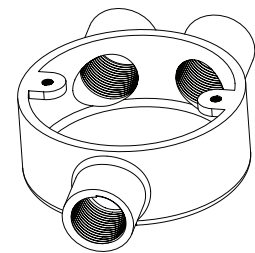
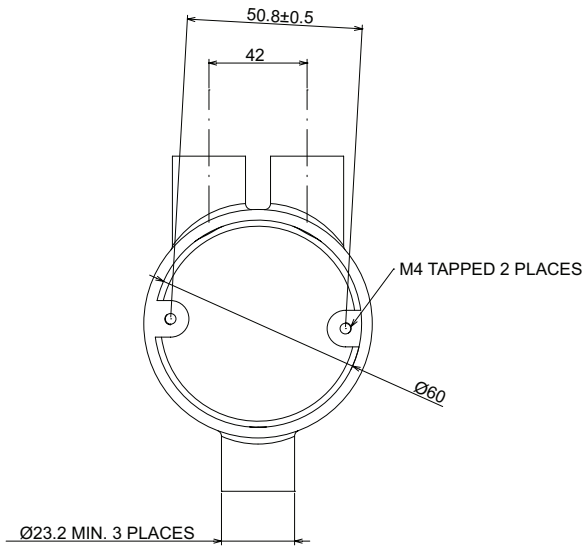
Malleable Iron

**PACKAGING**

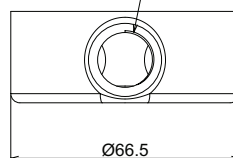
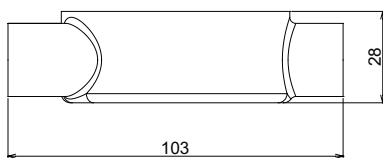
Packed in qty 10

**ADDITIONAL NOTES**

Conforms to BS EN61386-1:2008  
Compliant to LU Standard 1-085 (for use on surface & sub-surface locations)



M20 CONDUIT THREAD 16mm DEEP 3 PLACES



Ⓢ Values are nominal and with a general tolerance ±5% unless otherwise specified